

The logo of Galgotias University is a circular emblem with three curved, overlapping bands in shades of yellow, blue, and red, creating a stylized 'G' shape.

CHAPTER 5

ANALOG TRANSMISSION

GALGOTIAS
UNIVERSITY

DIGITAL-TO-ANALOG CONVERSION(Heading)

Digital-to-analog conversion is the process of changing one of the characteristics of an analog signal based on the information in digital data

Topics discussed in this section:

Aspects of Digital-to-Analog Conversion

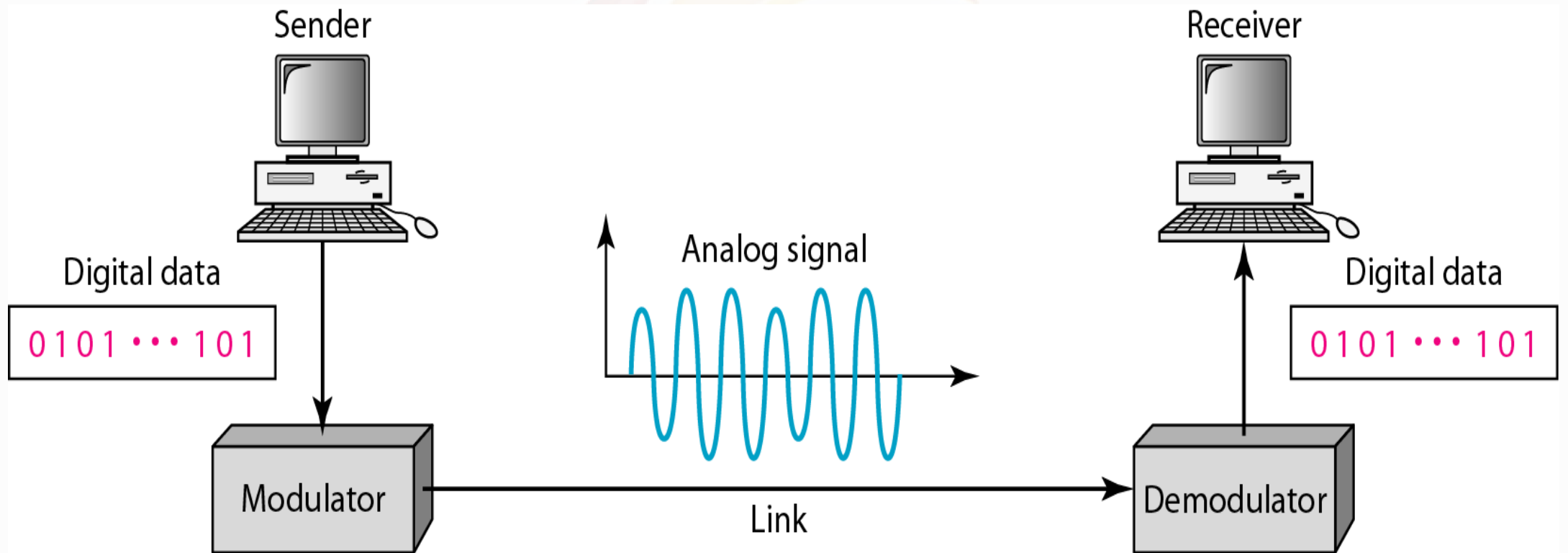
Amplitude Shift Keying

Frequency Shift Keying

Phase Shift Keying

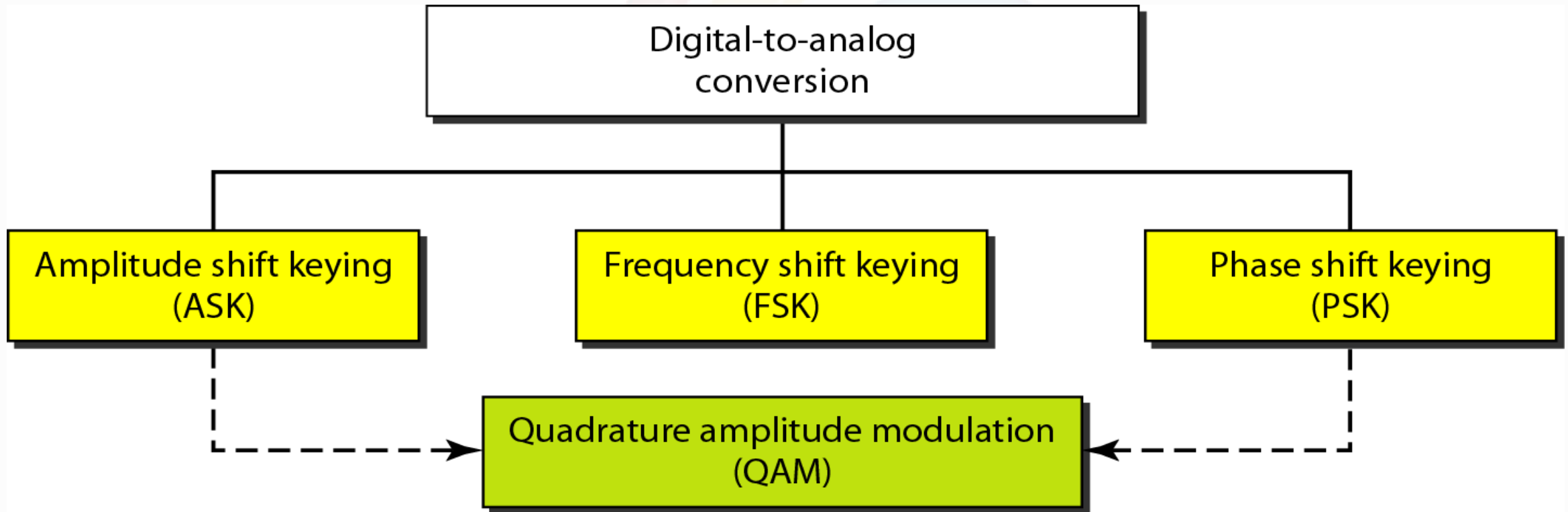


Digital-to-analog conversion

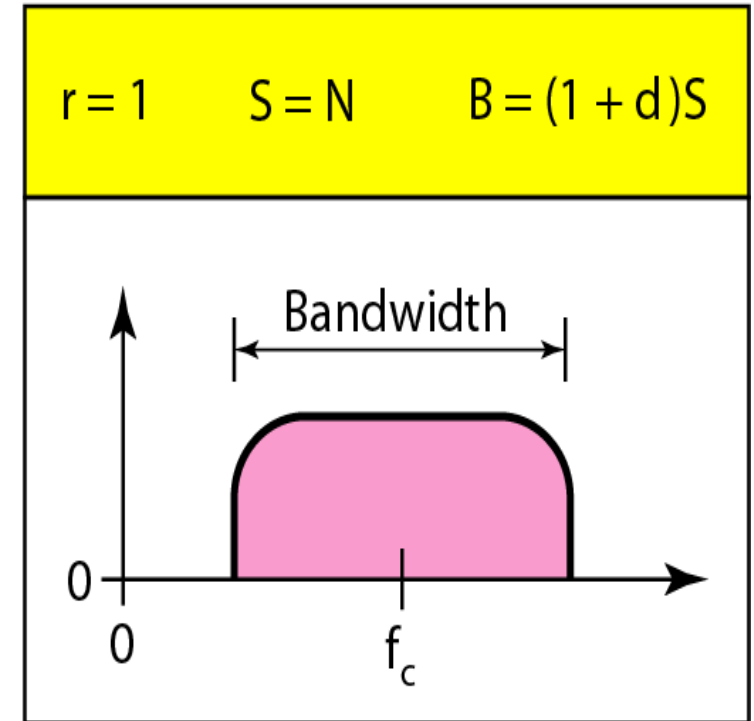
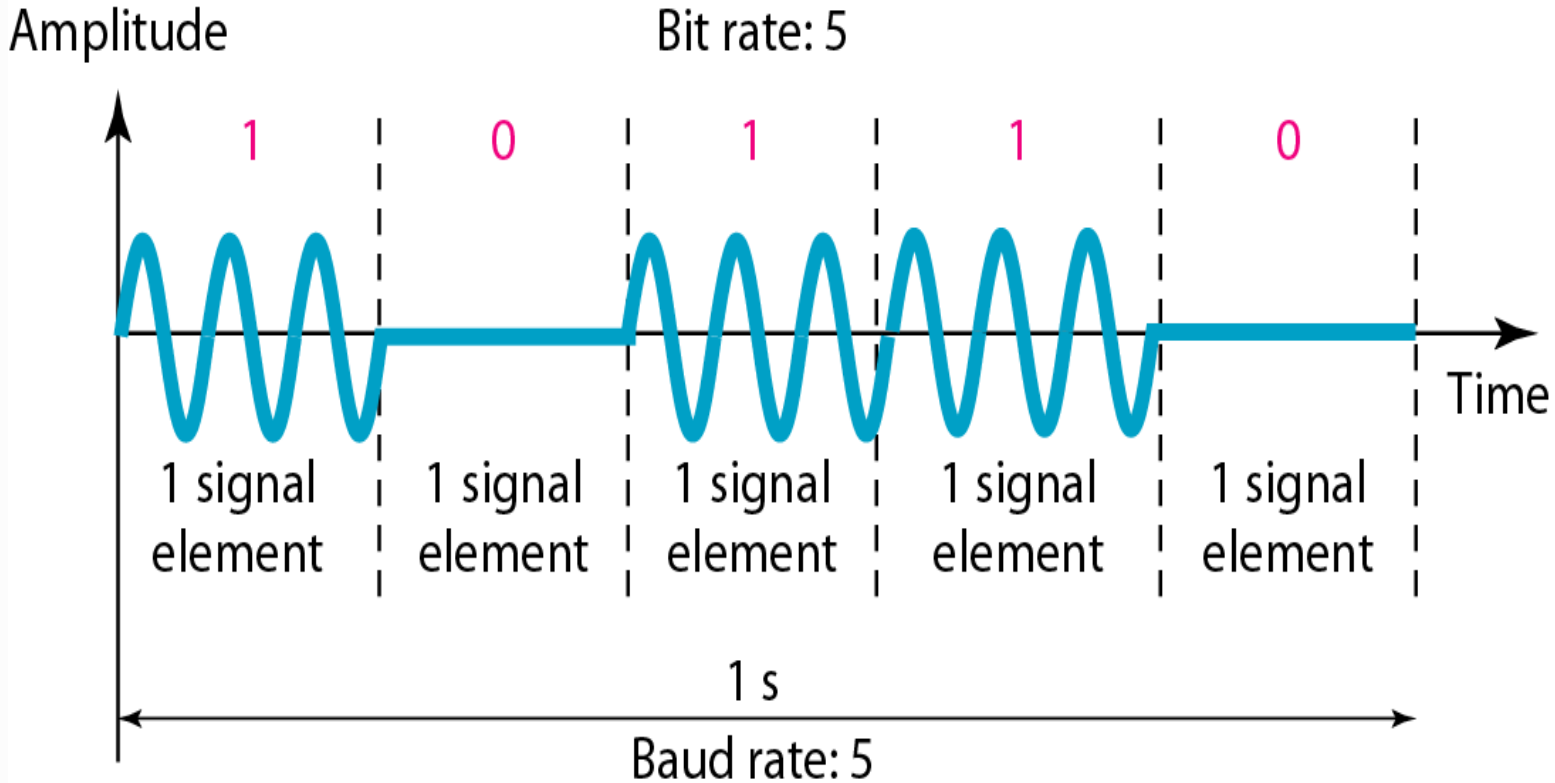


UNIVERSITY

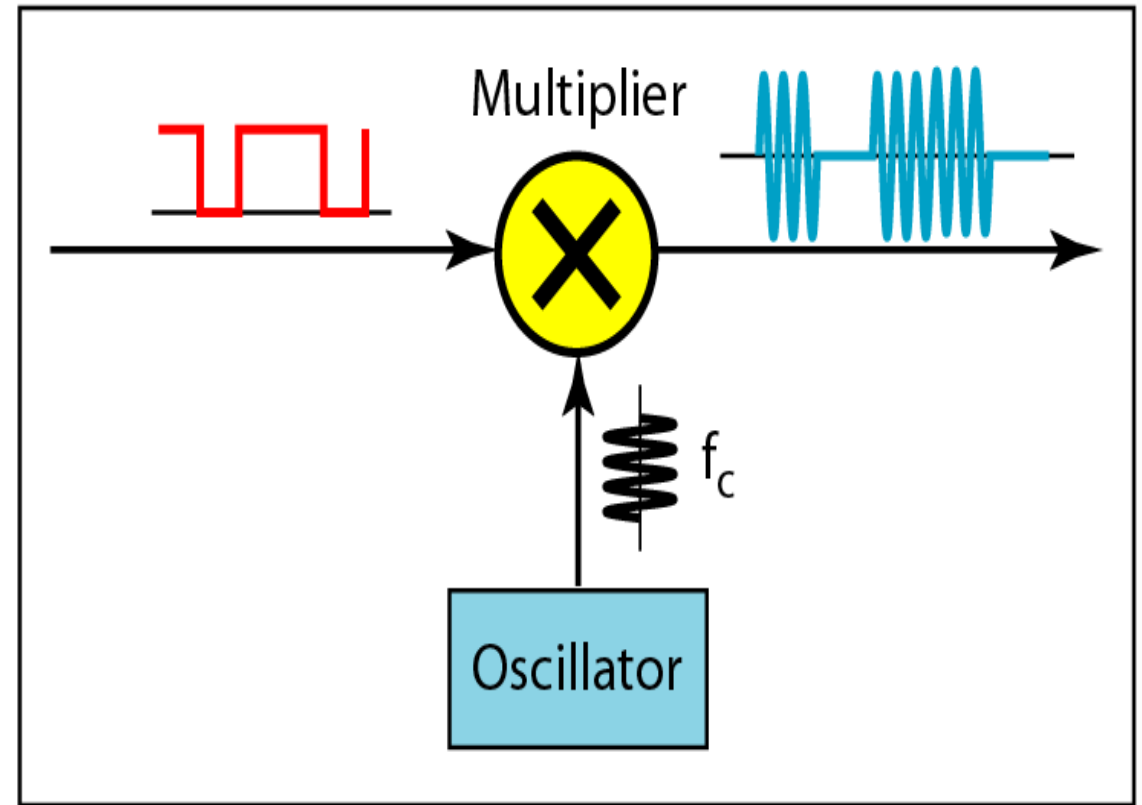
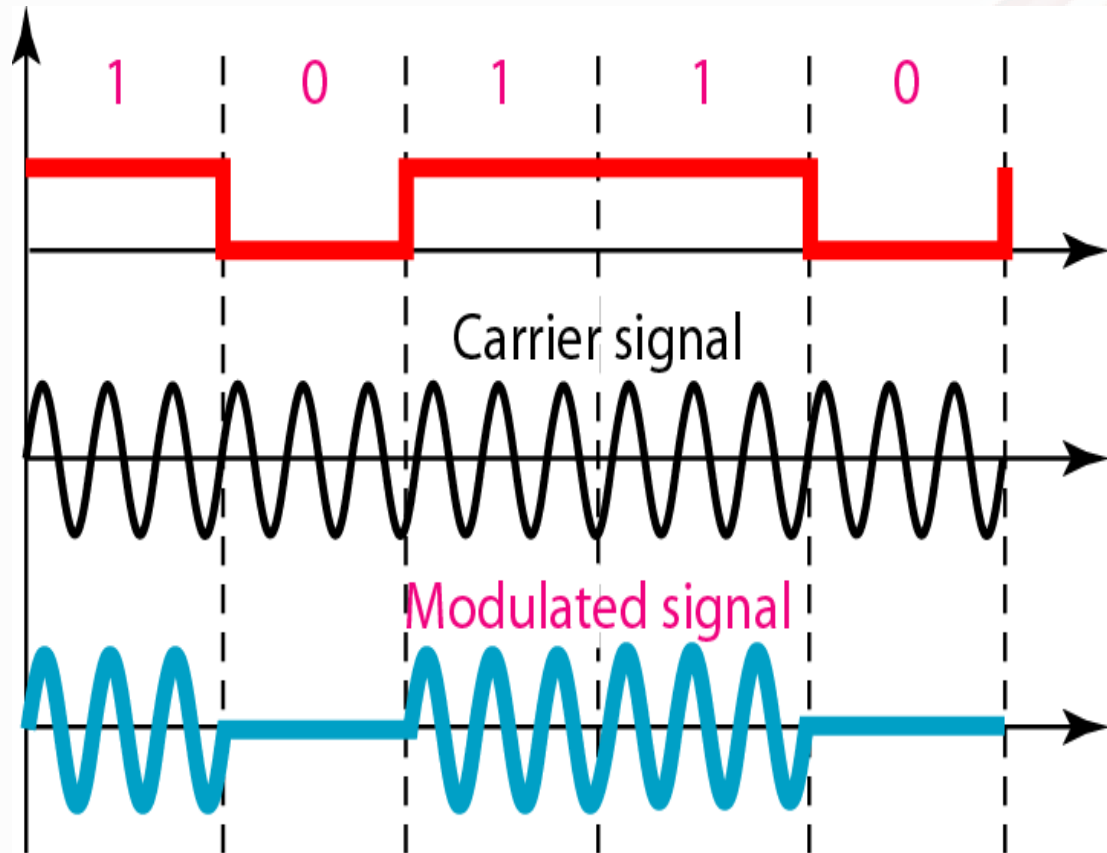
Types of digital-to-analog conversion



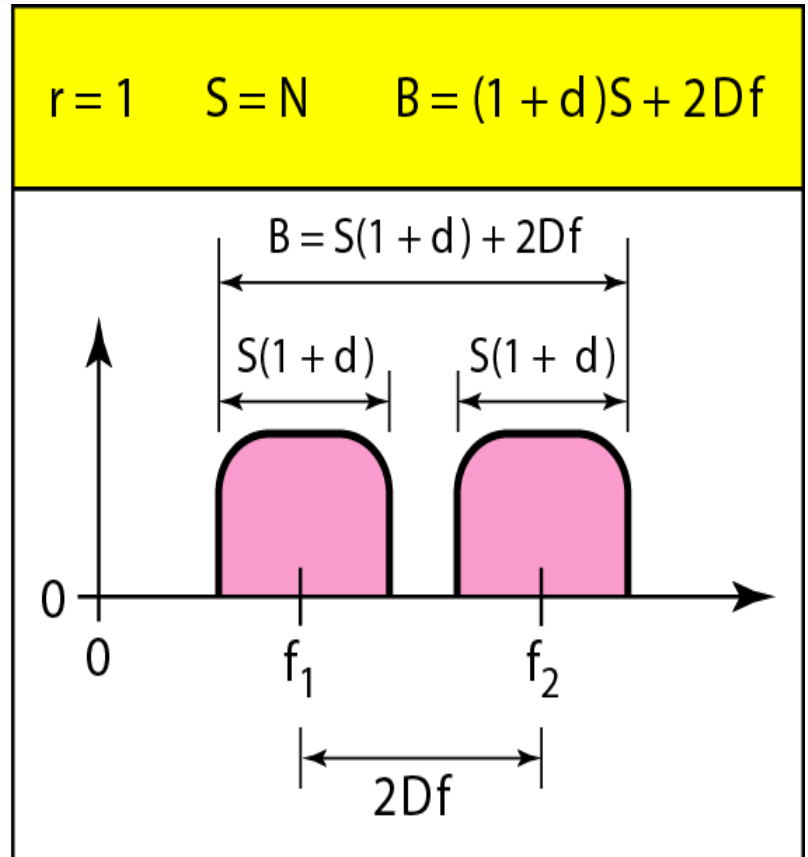
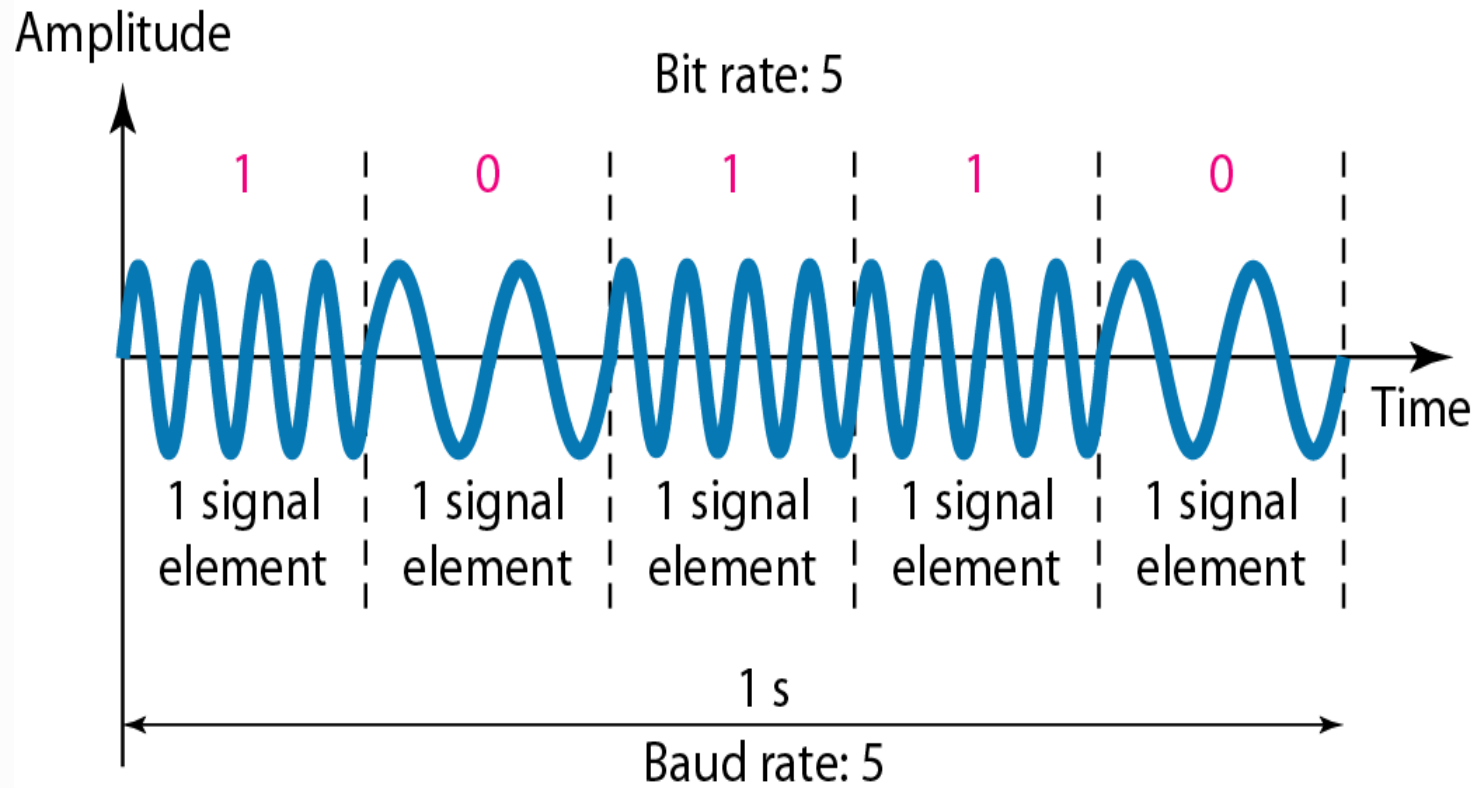
Binary amplitude shift keying



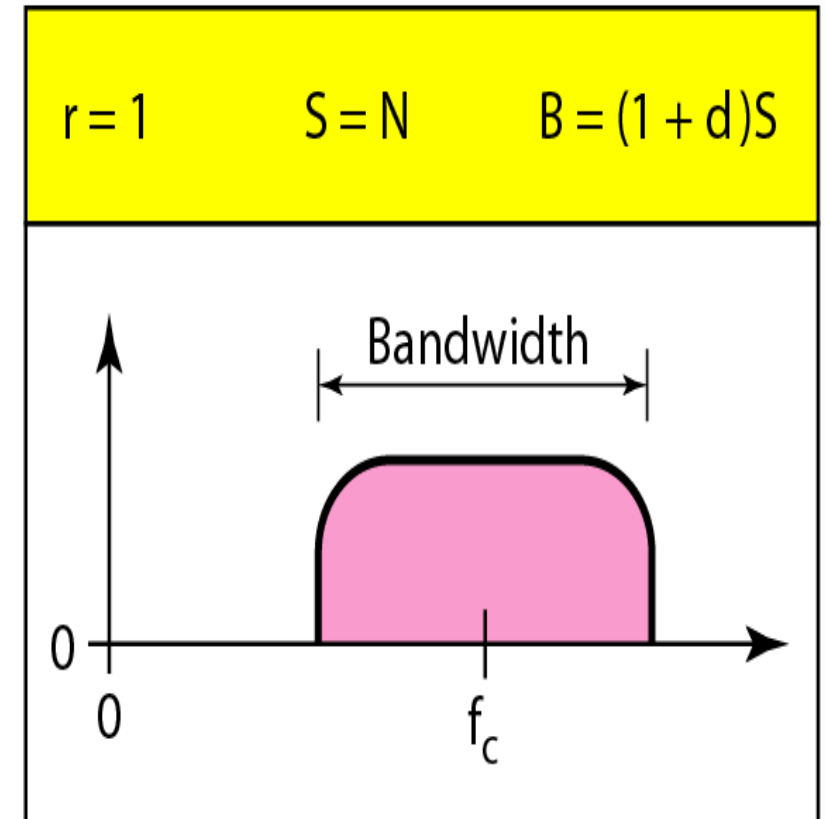
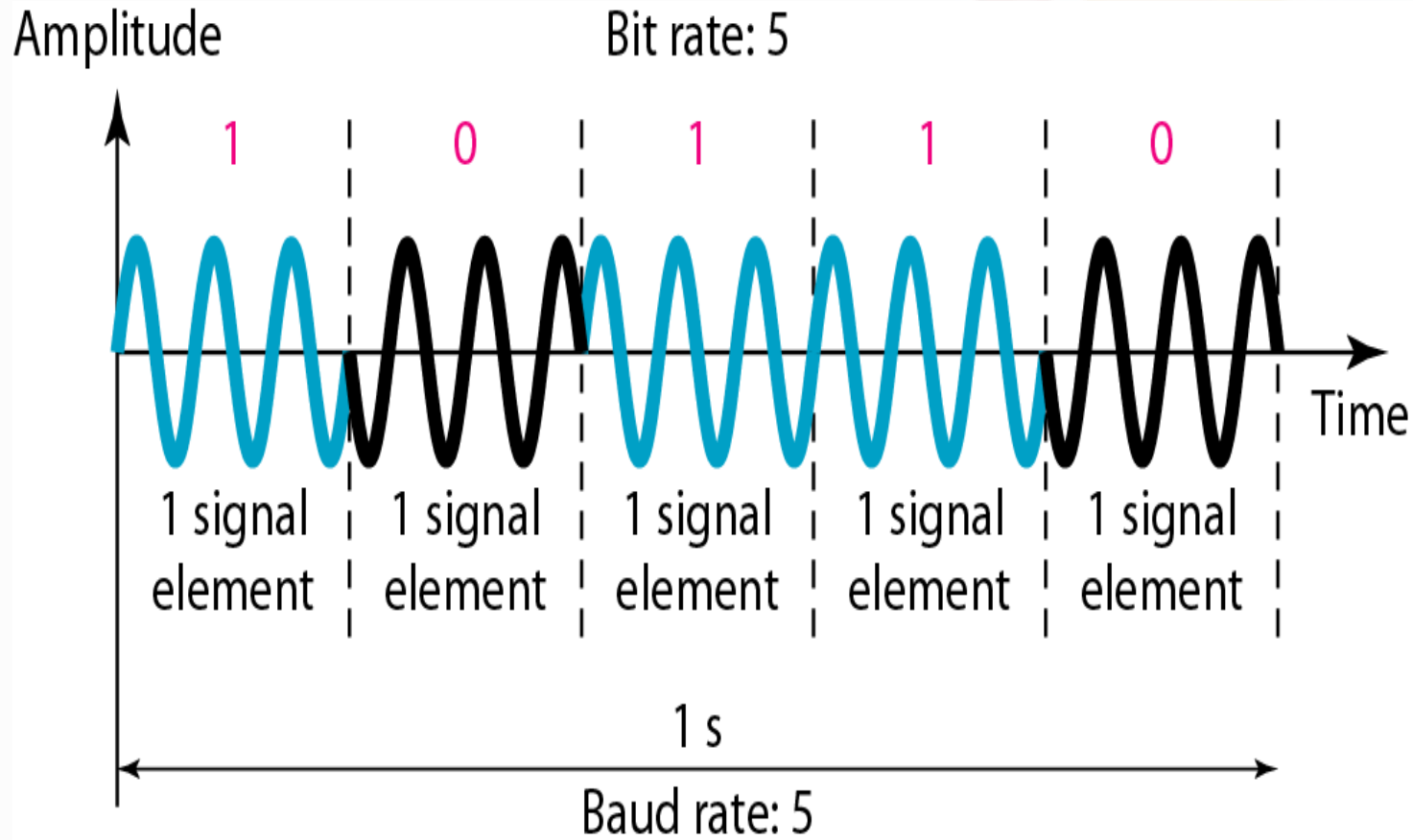
Implementation of binary ASK



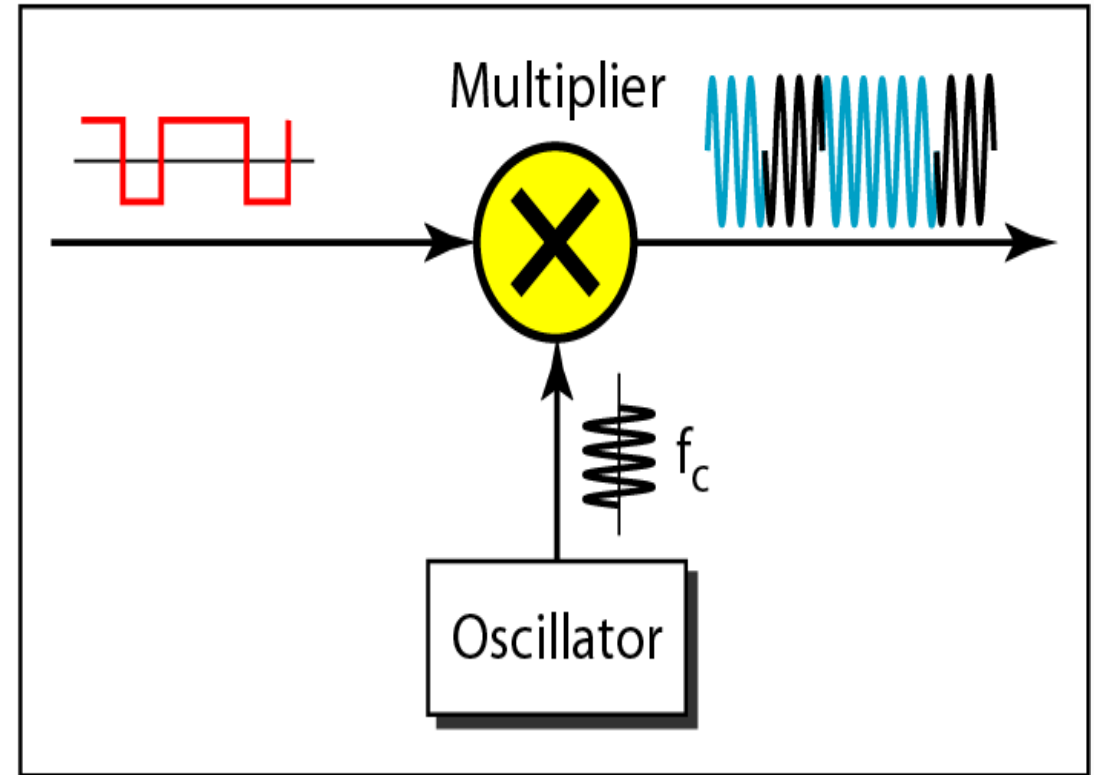
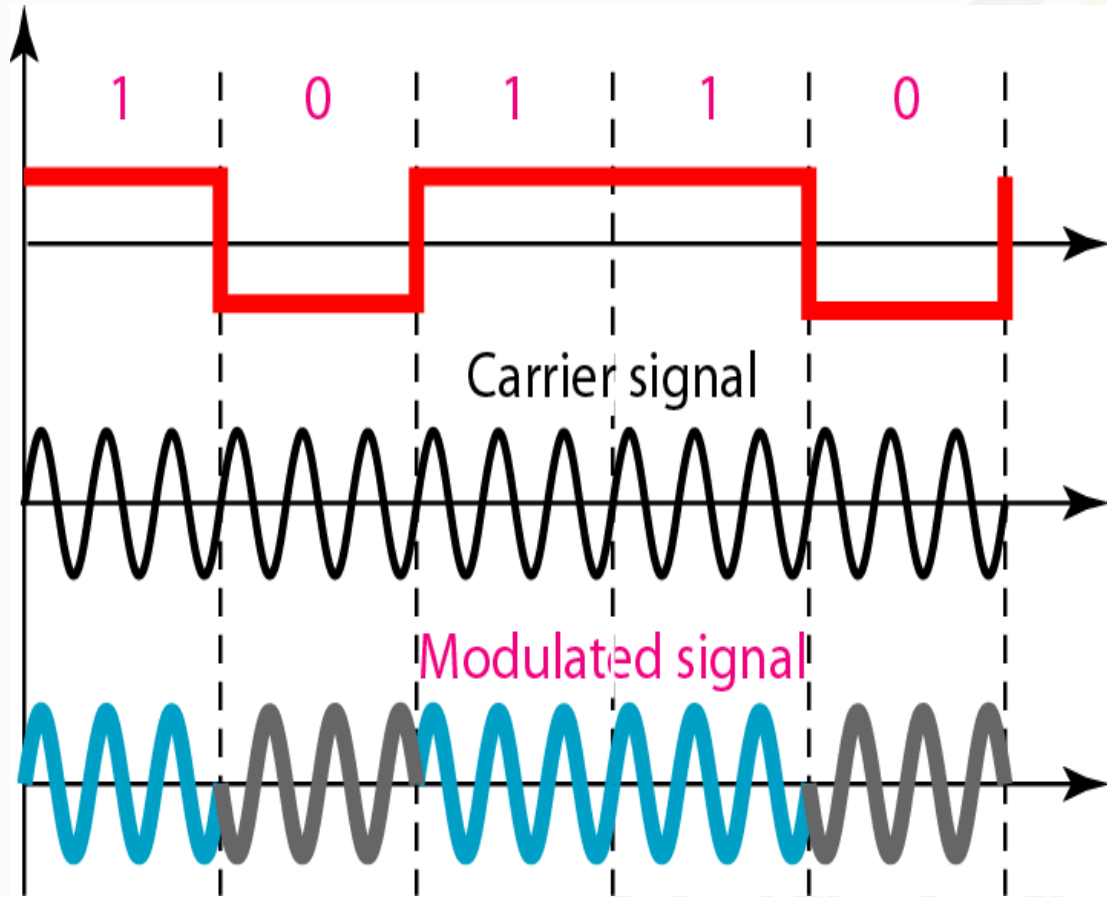
Binary frequency shift keying



Binary phase shift keying



Implementation of BASK





Thank You